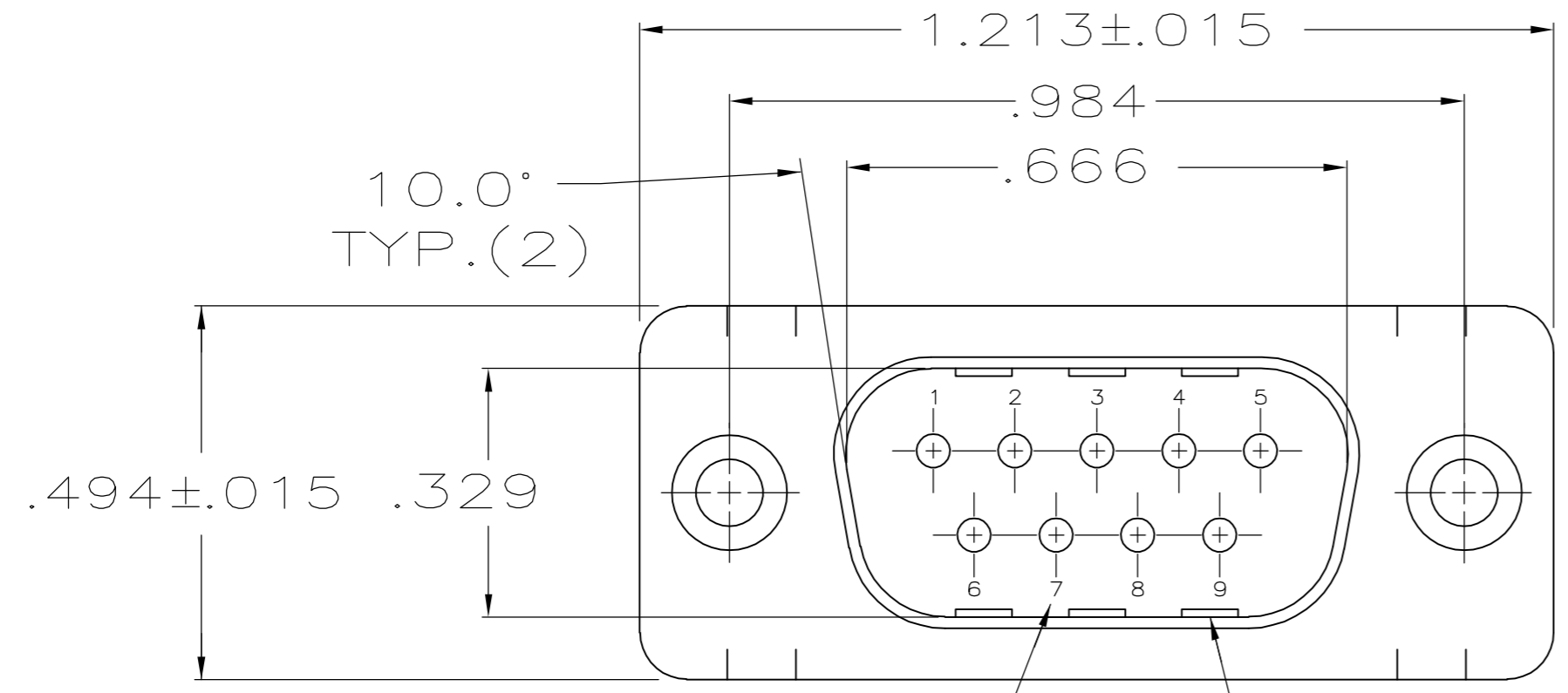


THIS DRAWING IS UNPUBLISHED. RELEASED FOR PUBLICATION
 © COPYRIGHT BY TYCO ELECTRONICS CORPORATION. ALL RIGHTS RESERVED.

LOC	DIST	REVISIONS			
P	LTR	DESCRIPTION	DATE	DWN	APVD
GP	00	B	REVISED PER ECO-06-007638	17MAY06	JDP CR

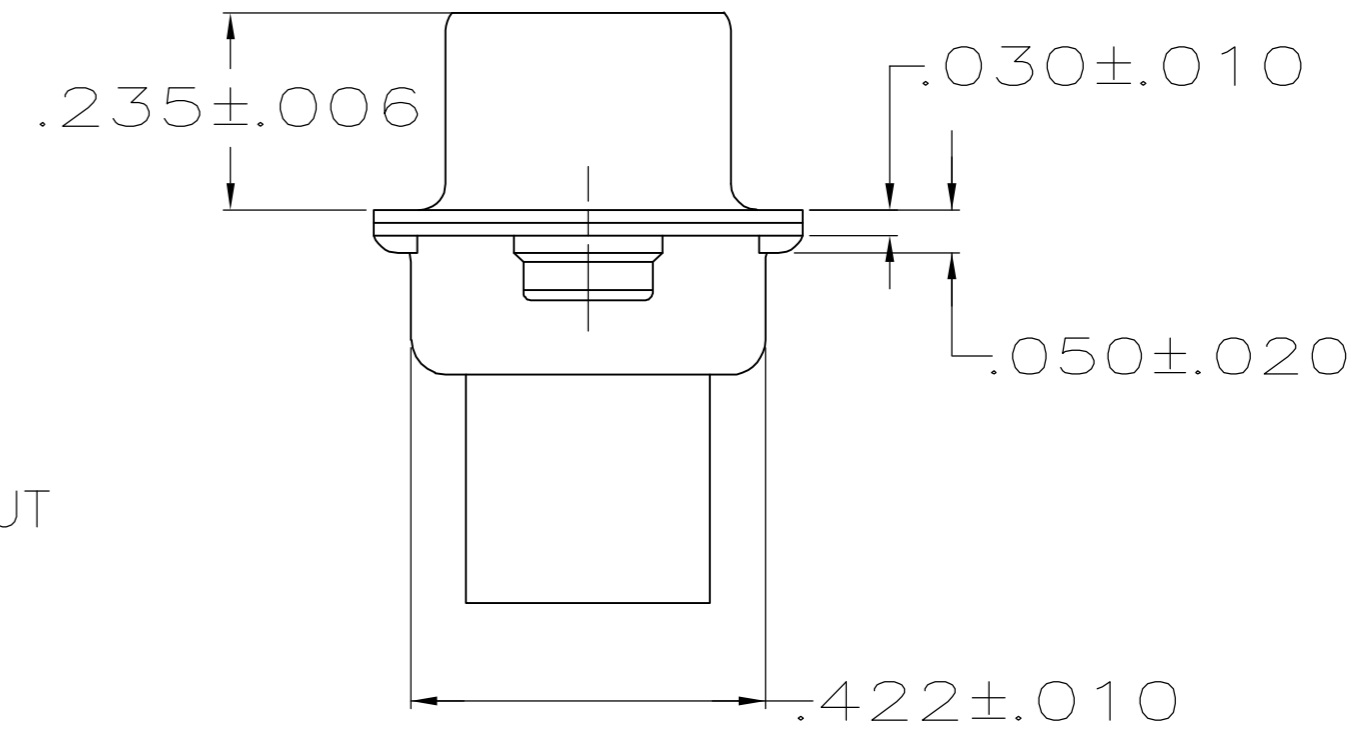
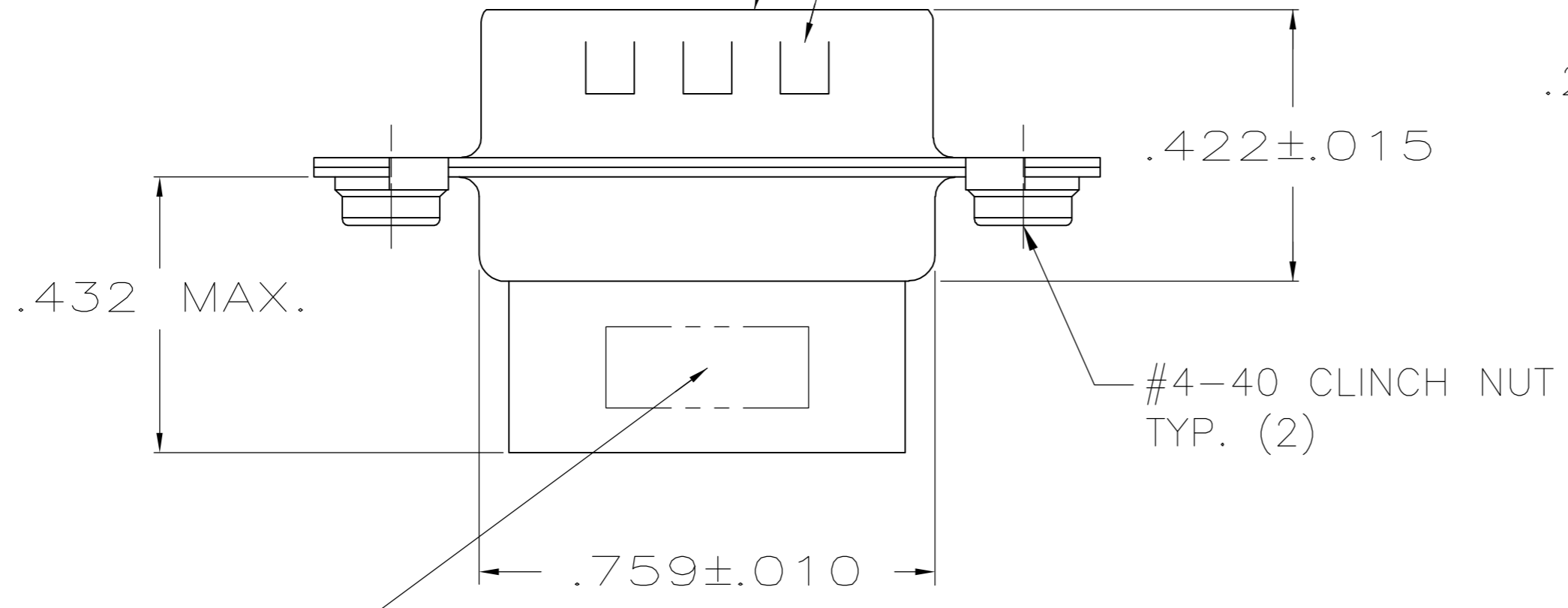


- CONNECTOR ACCEPTS SIZE 20 DF PIN CONTACTS, RETENTION TINES ARE AN INTEGRAL PART OF INSERT.
- MOLDED PARTS: FLAME RETARDANT 94V-0 RATED THERMOPLASTIC; COLOR: BLACK.
- SHELLS: STEEL PER ASTM A109.
- .000200 MIN TIN PLATE OVER .000100 MIN COPPER UNDERPLATE.

RAISED CAVITY IDENTIFICATION

GROUNDING INDENTS (SEE TABLE)

MATING FACE



MANUFACTURER'S LOGO, PART NO. & DATE CODE, MARKED IN AREA INDICATED, ON FAR SIDE

NO	1658642-2
YES	1658642-1
GROUNDING INDENTS	PART NUMBER

THIS DRAWING IS A CONTROLLED DOCUMENT.		DWN L. VARELA - DOCK5 11-17-04	Tyco Electronics Corporation Harrisburg, PA 17105-3608	
DIMENSIONS: INCHES		CHK J. GERACE 11-17-04		
TOLERANCES UNLESS OTHERWISE SPECIFIED:		APVD M. WALMSLEY 11-17-04	NAME	
0 PLC ± -		PRODUCT SPEC	PLUG CONNECTOR, SIZE 1, 9 POS., W/ CLINCH NUTS, AMPLIMITE HDP	
1 PLC ± -		APPLICATION SPEC	-	
2 PLC ± -		108-40005	SIZE A2	CAGE CODE 00779
3 PLC ± .005		114-40030	DRAWING NO C=1658642	RESTRICTED TO -
4 PLC ± -		WEIGHT -	SCALE 4:1	SHEET 1 of 1
ANGLES ± 2°		CUSTOMER DRAWING	REV B	
FINISH		SHELLS: 4		